



ROTARY PARLOUR FEEDING SYSTEM

Part Number: **28-0010**

Also Required Are:

Digital Feeder

Control: **06-2080**

396 Watt 12vDC Power

Supply: **25-0200**

Fast Feeding for Rotary Parlours

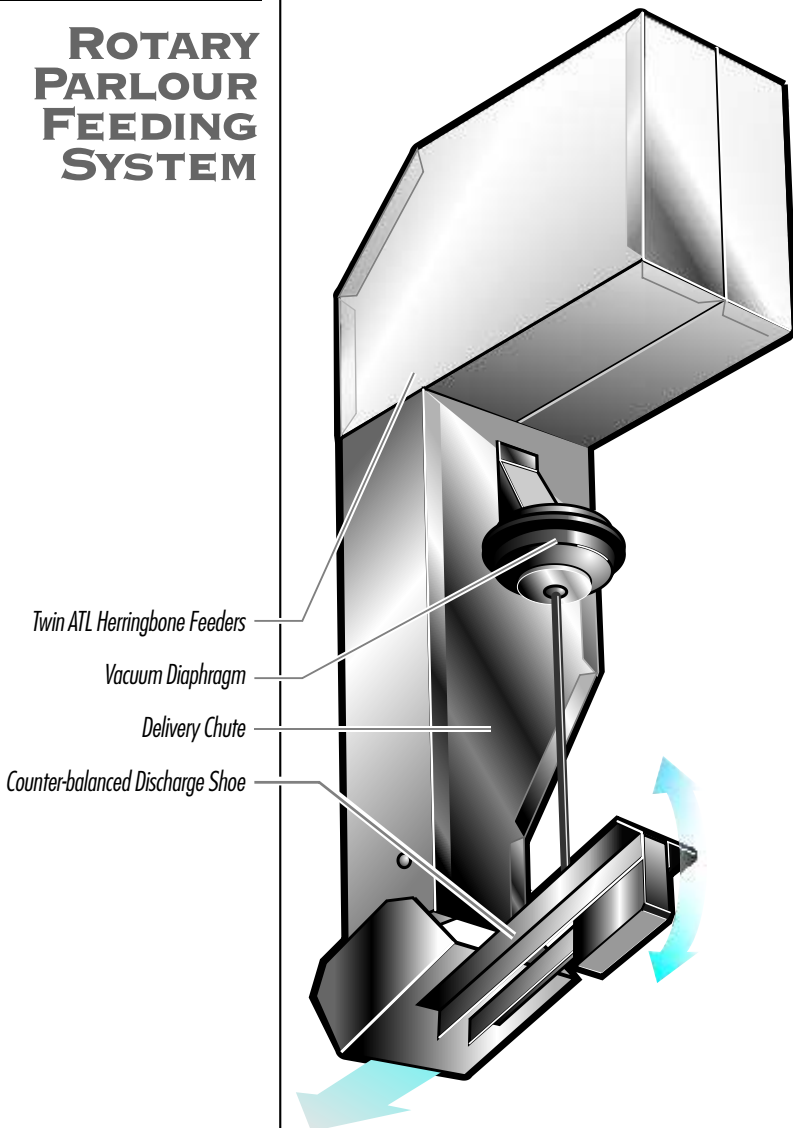


A new 50 point rotary with ATL's Dump Box Feeder and Bin from two viewpoints. Because the feeder is so fast and accurate, feeding cow rations is easy using the Digital Feeder Control.



**ROTARY
PARLOUR
FEEDING
SYSTEM**

Accurate, high-speed rotary feeding...



About the Dump Box Feeder

This compact feeder uses a 'dump' principle to deliver rations at high speed to the centre of mangers fitted to rotary parlours.

A large feed bin is provided for concentrate storage. An electric auger system is recommended to deliver concentrate to the bin during milking.

Twin electric feeders fill a dump box and optical sensors detect the correct position for the ration to be 'dumped' into the centre of the manger. At this precise moment, the diaphragm valve opens a flap and 'dumps' the ration without halting or slowing the rotary table / platform. The Digital Control prevents feeding from occurring if the table reverses for any reason.

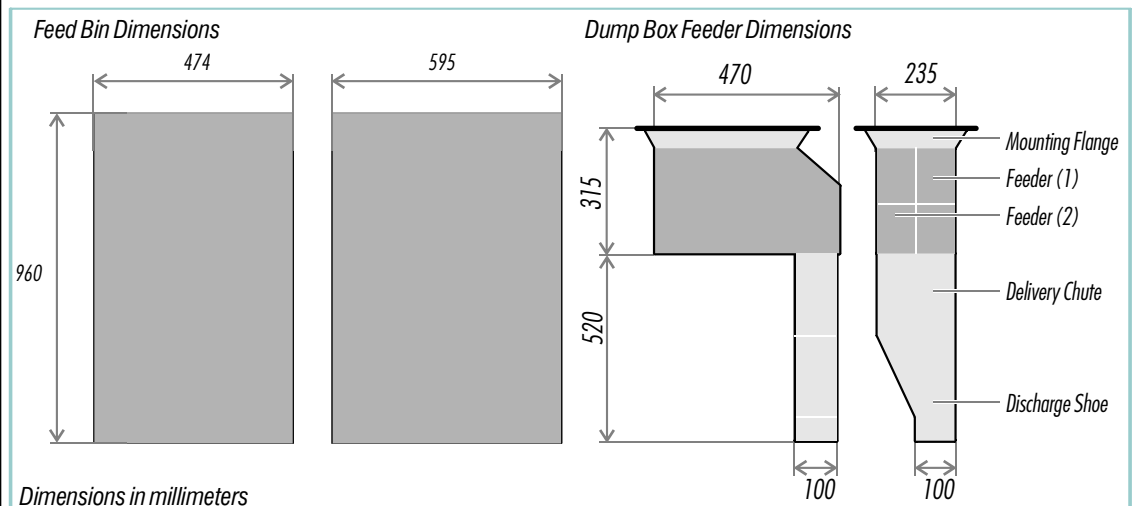
The kit of parts includes the dump box feeder and bin, a diaphragm valve, a 12volt DC vacuum solenoid valve and Omron transmitter / receiver units. Adjustable cable suspension is supplied for the bin. A Digital Feeder Control and Power Supply Unit are also required.

Not supplied and required on site are a vacuum supply to operate the diaphragm valve and an electric auger system to deliver concentrate to the bin.



Digital Feeder Control

The Digital Feeder Control provides an accurate batch feeding solution. Connect to the ATL Rotary Auto-ID system for individual feeding based on milk yield or days in milk.



Dimensions in millimeters

ATL AGRICULTURAL TECHNOLOGY LIMITED
PLACE FARM KIRTLING NEWMARKET
SUFFOLK CB8 9PA
TELEPHONE: (01638) 731212
FAX: (01638) 731174
E-MAIL: info@atlagri.com
WEBSITE: www.atlagri.com