



PC INTERFACE

Version - March 2010

Part Number - 39-0118



PC INTERFACE: INDEX

INDEX

Good Practice

The PC Interface:

MicroMarque3S PC Interface Connections:

MicroMarque3S PC Interface Wiring Diagram:

Out of Parlour PC Interface Wiring Diagram:

INDEX

1

2

3

4

GOOD PRACTICE: Control, Power and Data Cables and Conduit.

- Cables must be kept as short as possible running directly from point to point. Cut out any excess cable rather than leaving it coiled.
- Where ever possible cables should be contained in a waterproof conduit using the correct csa cable specified in the diagrams.
- Entries must be made into the bottom of power supply or control casings but never into the top. This will invalidate the warranty.
- Strip existing cables back to bright copper before connection.
- Keep multicore cables away from other cables especially those carrying mains or heavy currents. Cross only at 90° where necessary and do not enclose in conduit with other cables.
- Keep feeder cables and coaxial cables in separate conduits.
- Make sure diodes are fitted to all feeders, pulsators and solenoid valve. These should be fitted as close as possible to feeder motor or solenoid coil.



PC INTERFACE: 1

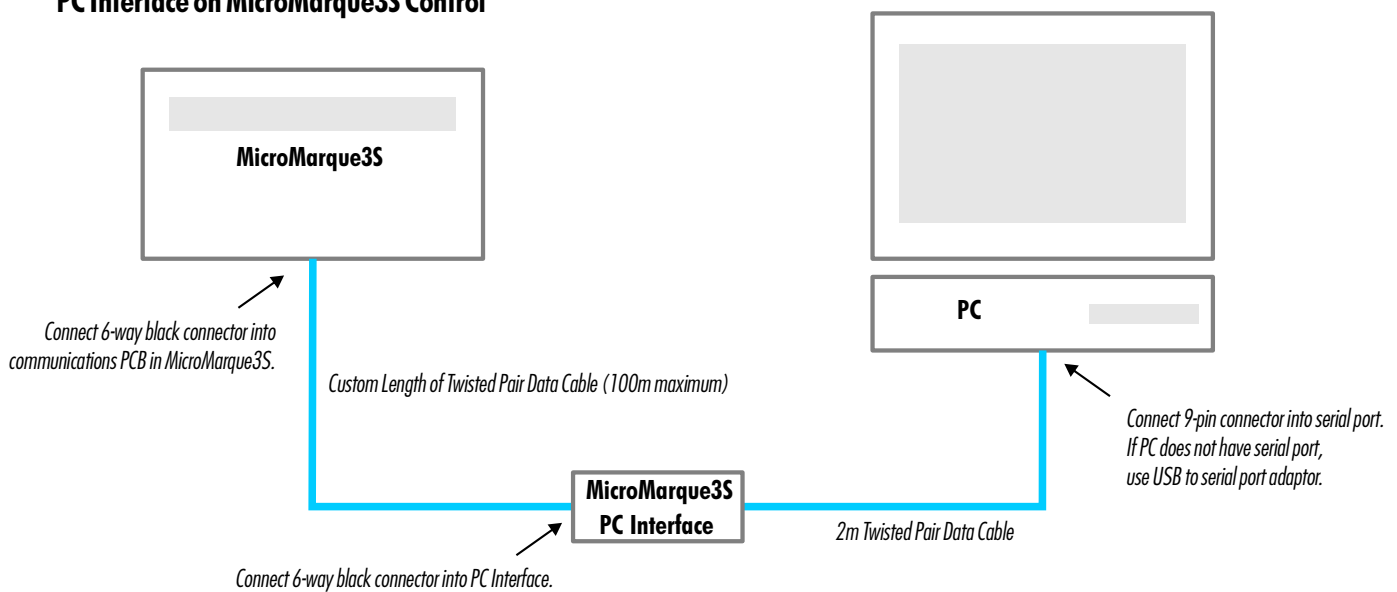
The PC Interface

The PC Interface is available in two versions - one for the MicroMarque3S control and one for the Out of Parlour console. Please note that they are not interchangeable and have different connectors.

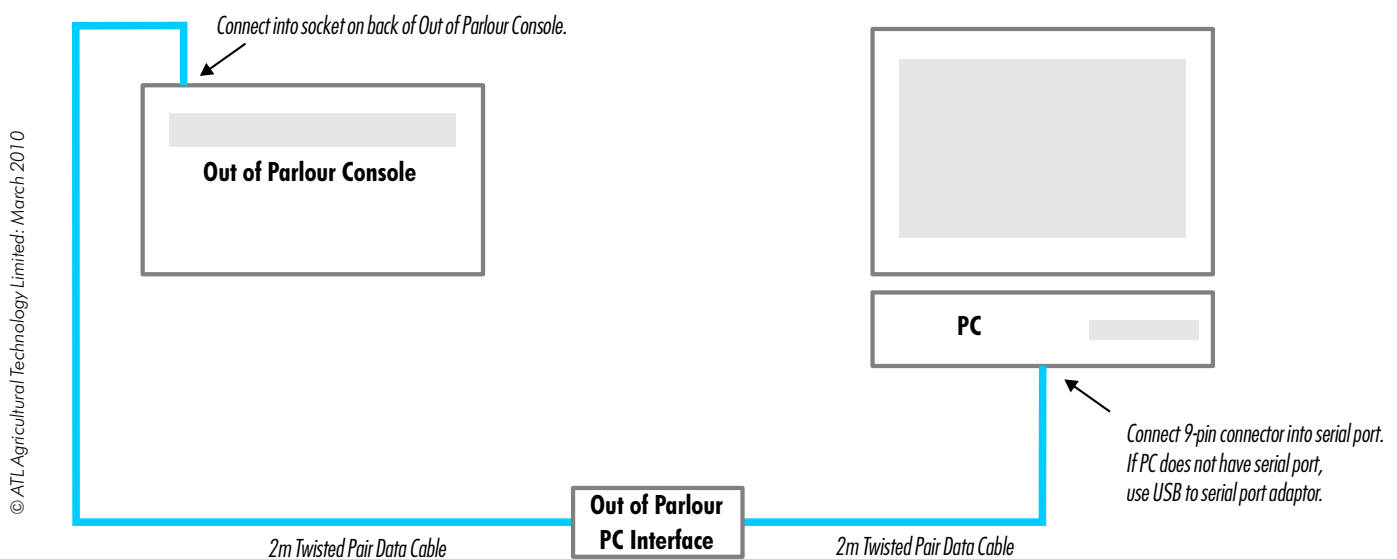


WARNING: DO NOT RUN TWISTED PAIR DATA CABLE NEXT TO MAINS CABLES OR CABLES CARRYING HIGH CURRENT AS WILL CAUSE INTERFERENCE AND SYSTEM WILL NOT FUNCTION CORRECTLY.

PC Interface on MicroMarque3S Control



PC Interface on Out of Parlour Console

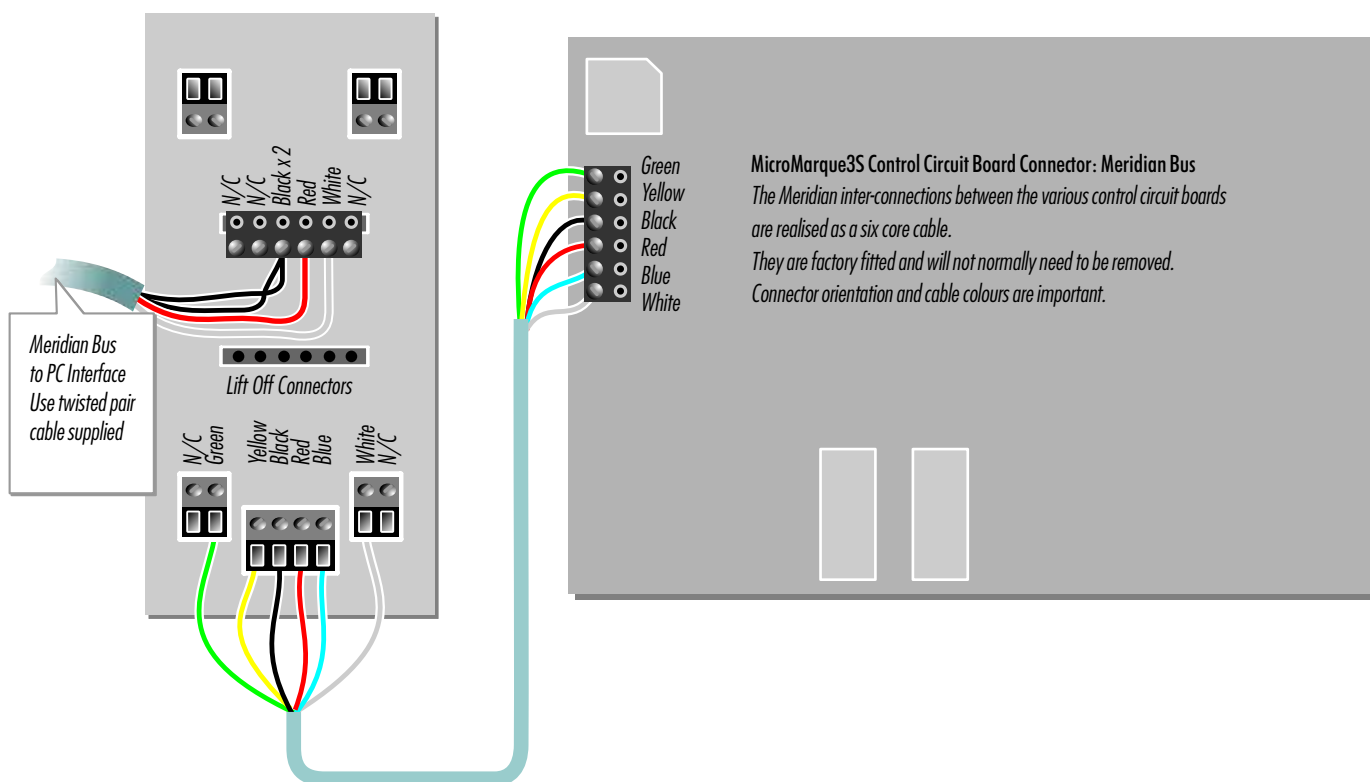




PC INTERFACE: 2

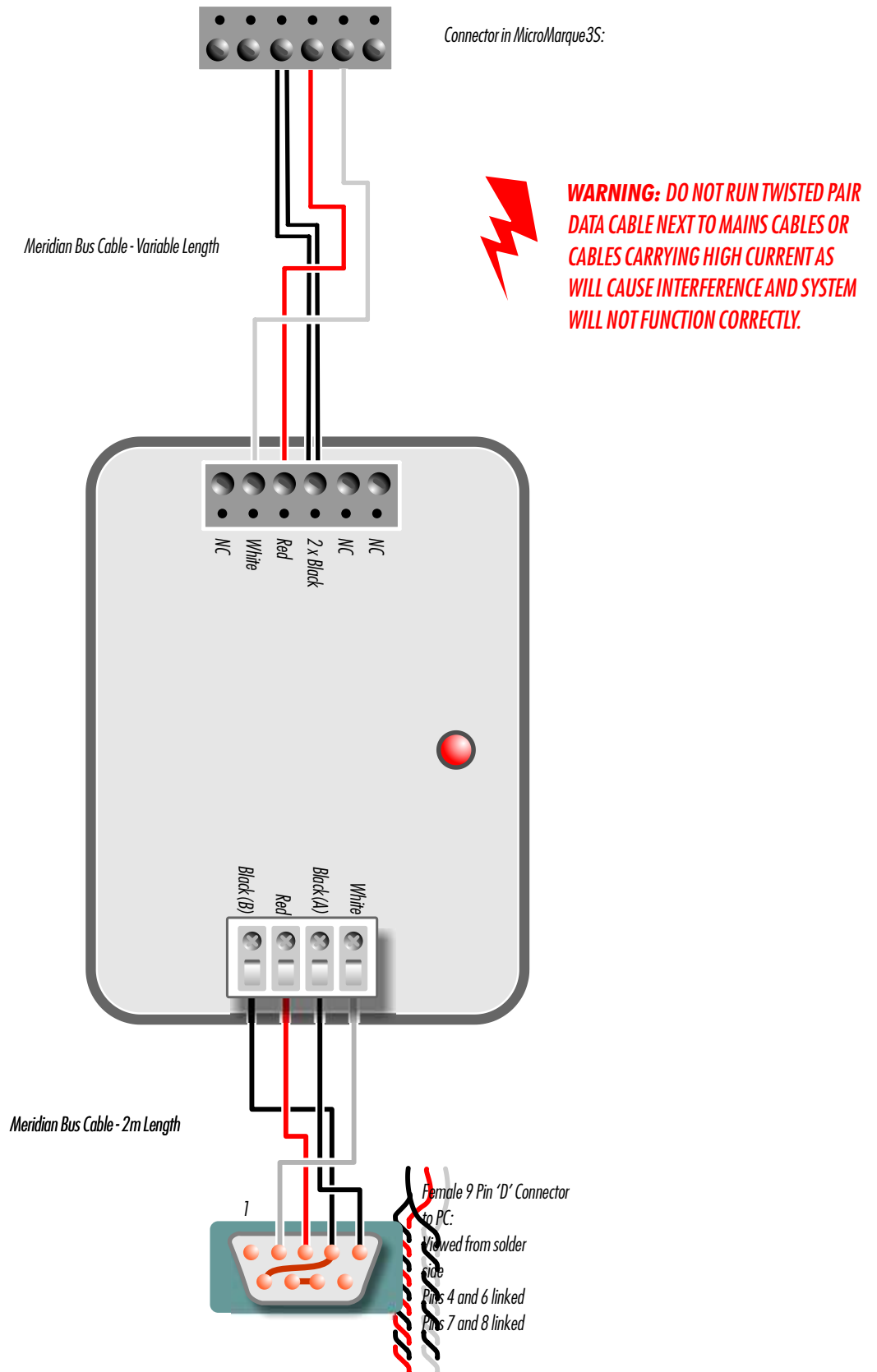
MicroMarque3S PC Interface Connections

Connections to the MicroMarque3S are made via a Distribution Board fitted to the base of the casing. This cable returns the Meridian Bus data to the distribution board from where it is directed to any other systems by twisted pair cable (i.e. Auto-ID, Micro Milk Meter, Pegasus Sorting Gate, PC Interface etc). This cable (supplied) is specifically for high speed communications and must not be replaced by any other. Follow the colour codes.





MicroMarque3S PC Interface Wiring Diagram





PC INTERFACE: 4

Out-Of-Parlour PC Interface Wiring Diagram

