



SWING OVER SWITCH
INSTALLATION
MANUAL

Version - February 2013

Part Number - 39-0040



SWING OVER SWITCH INSTALLATION MANUAL: **INDEX**

GOOD PRACTICE: Mains Supply.

- A separate mains supply and earth running directly from the customer meter is essential.
- Avoid routing the mains cable to the power supply close to other supplies especially those providing intermittent current- motors that are starting and stopping continually or high power heaters with thermostatic control.
- Terminate in a sealed, fused, double pole switched outlet fitted with a 13Amp (BS 1362 Standard) fuse or trip. A 3-pin ring main socket is not suitable in parlour conditions. All mains cabling must be contained in a firmly secured durable conduit.
- All mains work should be referred to a Qualified Electrician.

Power Supply: Siting.

- Fix the power supply to a wall or suitable brackets in a well ventilated area sufficiently high to avoid physical contact or damage, leaving a gap of at least 250mm (10") between the top of the power supply casing and the ceiling.
- Position the power supply so that the output (low DC voltage) cables are as short as possible even if this means extending the mains supply.

ATL Power Supply: Output Voltages.

- ATL power supply outputs are factory set and should not be adjusted. For a 230volt mains supply the DC outputs should be:

Milk Meter Display Unit Control Supply: Nominal 12volts.

Connections Box Supply: Nominal 12volts

Solenoid Box Supply: Nominal 12volts

- There are two indicators fitted to the base of the power supply casing; red indicates that the mains is present and green that the supply is available.

Control and Cables and Conduit.

- All connectors and glands are supplied.
- Entries must be made into the bottom of power supply or control casings but never into the top. This will invalidate the warranty.
- Keep multicore cables away from other cables especially those carrying mains or heavy currents. Cross only at 90° where necessary and do not enclose in conduit with other cables.

INDEX

Good Practice:	Index
The Swing Over Switch	1
Swing Over Switch Installation	2
Swing Arm Magnet with Bracket Installation	3
Swing Arm Magnet without Bracket Installation	3
Swing Over Switch Wiring 1 - PCB RLR167A	4
Swing Over Switch Wiring 2 - PCB SW0217	5
Wiring into Milk Meter Display	6



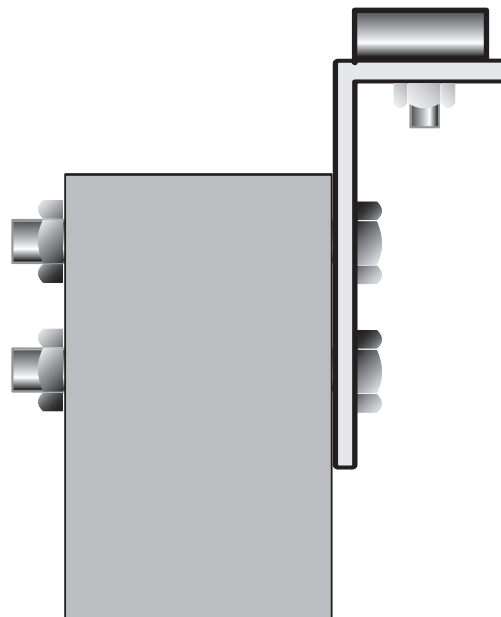
SWING OVER SWITCH INSTALLATION MANUAL: 1

The Swing Over Switch

The ATL swing over switch is designed to be used on swingover parlours to electronically notify the MicroMarque3S control of the side the milk meter is currently being used on; thus making the process automatic. The swing over switch can be used in conjunction with non-ATL products or with the MicroMarque3S (NB - if used in conjunction with the MicroMarque3S, there is a maximum parlour size of 48/96).



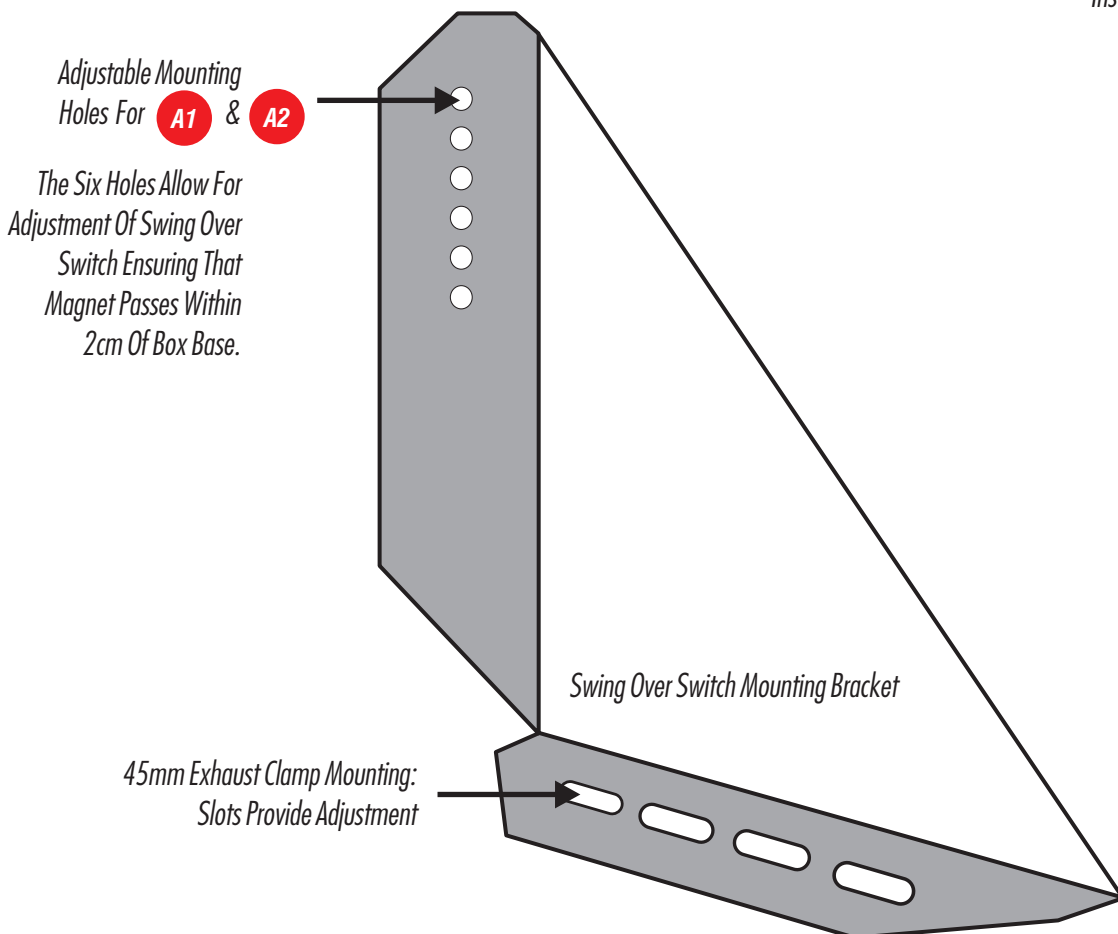
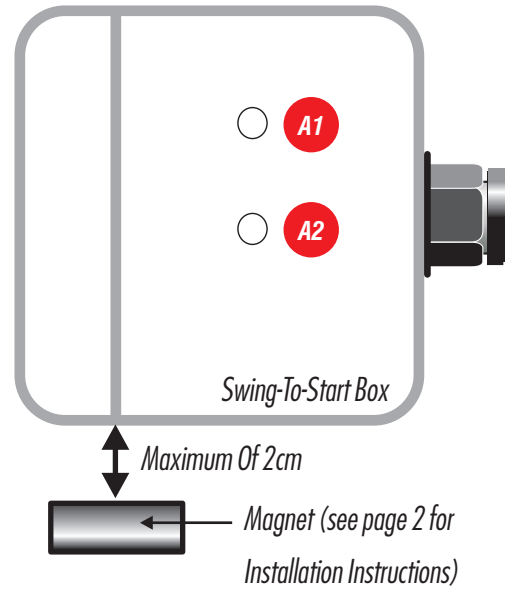
*LED illuminates
notifying user
parlour side*





SWING OVER SWITCH INSTALLATION MANUAL: 2

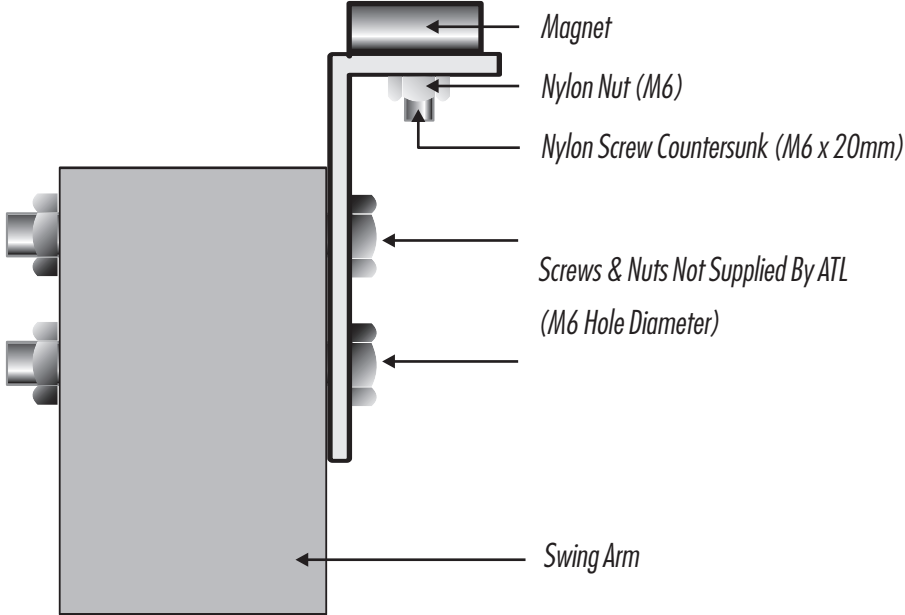
Swing Over Switch Installation



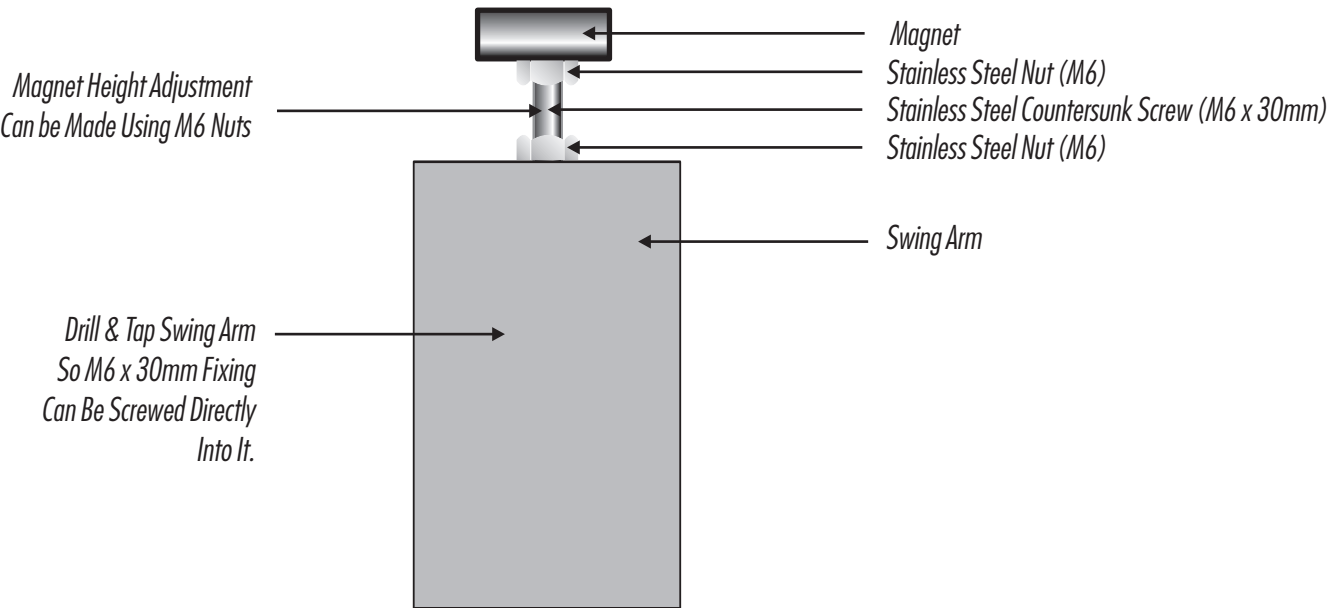


SWING OVER SWITCH INSTALLATION MANUAL: 3

Swing Arm Magnet with Bracket Installation



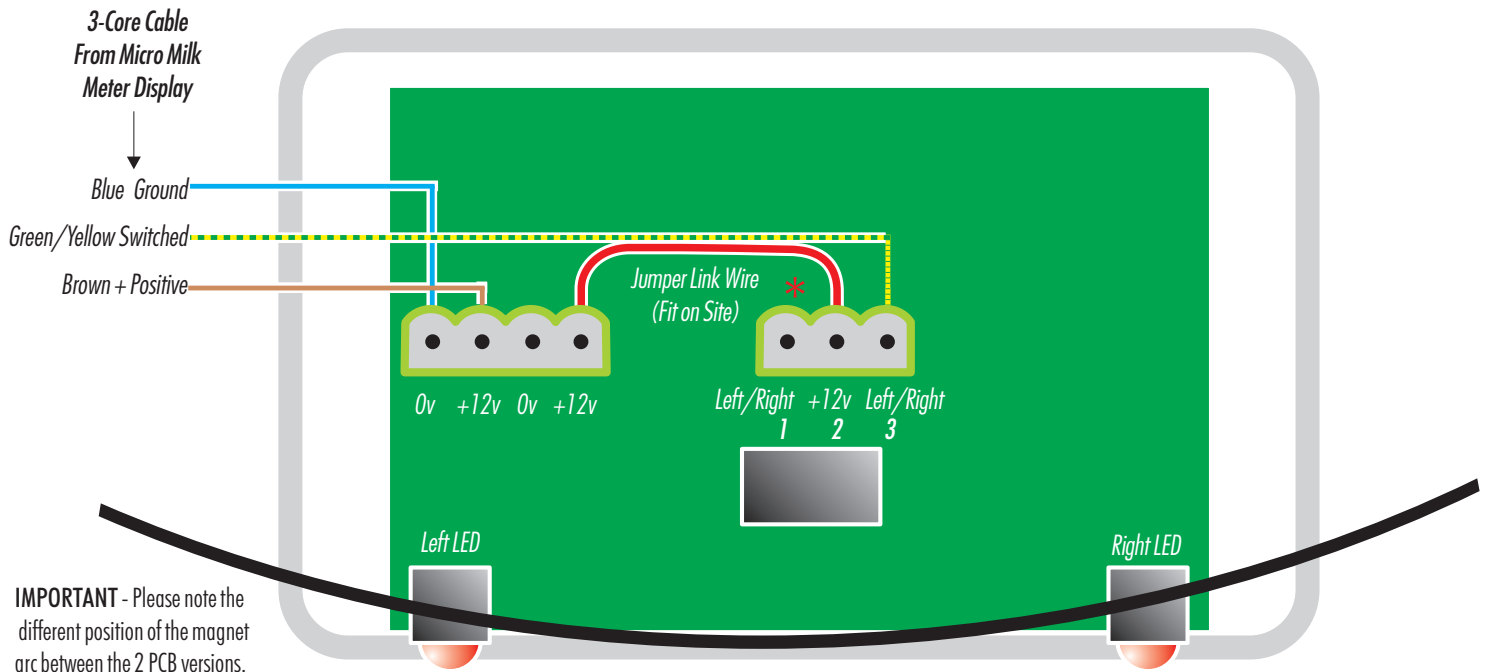
Swing Arm Magnet without Bracket Installation





SWING OVER SWITCH INSTALLATION MANUAL: 4

Swing Over Switch Wiring 1 - PCB Version RLR167A



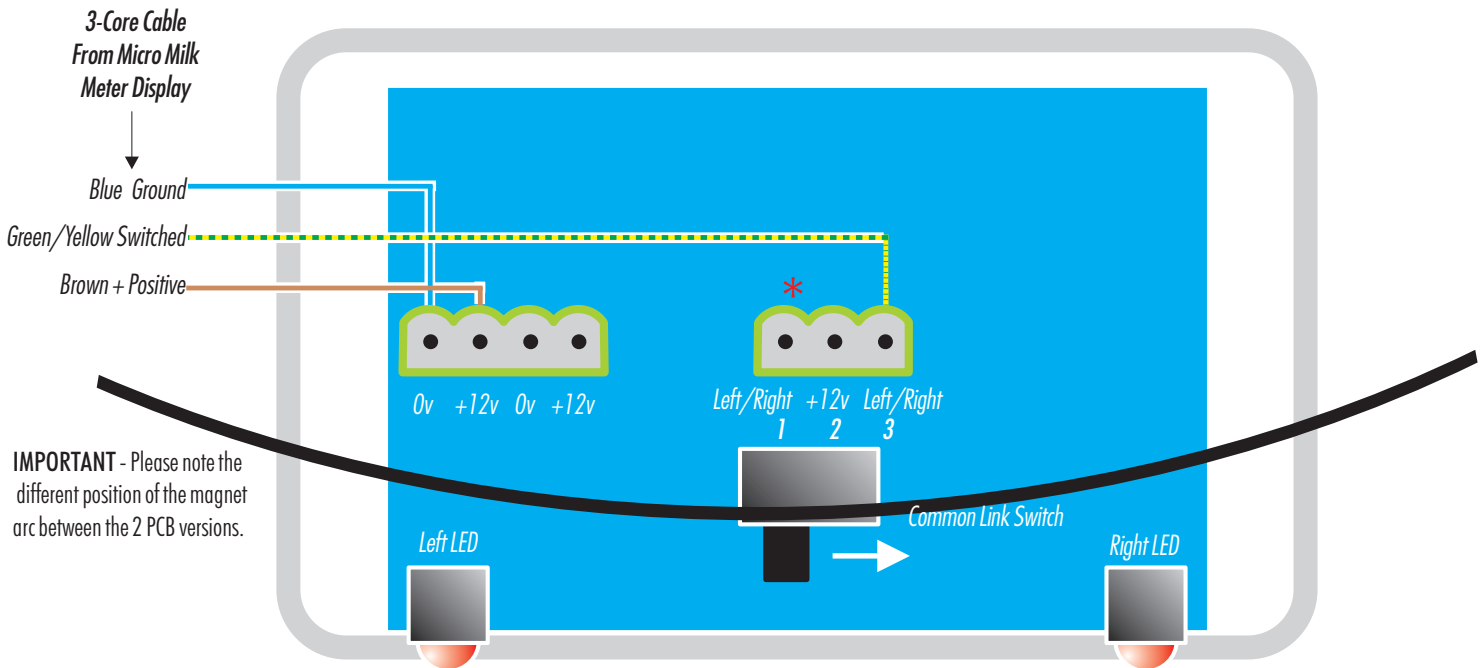
IMPORTANT - Please note the different position of the magnet arc between the 2 PCB versions.

* Note - Connect Yellow/Green Wire Here if Box Faces the 'Other Way'.



SWING OVER SWITCH INSTALLATION MANUAL: 5

Swing Over Switch Wiring 2 - PCB Version SW0217



IMPORTANT - Please note the different position of the magnet arc between the 2 PCB versions.

* Note - Connect Yellow/Green Wire Here if Box Faces the 'Other Way'.

Note - Surface mount LEDs are fitted to the other side of the PCB, not through hole LEDs as indicated on the above diagram.



SWING OVER SWITCH INSTALLATION MANUAL: 6

Swing Over Switch Wiring into Milk Meter Display

